

Model:

GDM-35RL-HC~TSL01

Glass Door Merchandiser:

Swing Door Rear Load Refrigerator with Hydrocarbon Refrigerant~True Standard Look Version 01



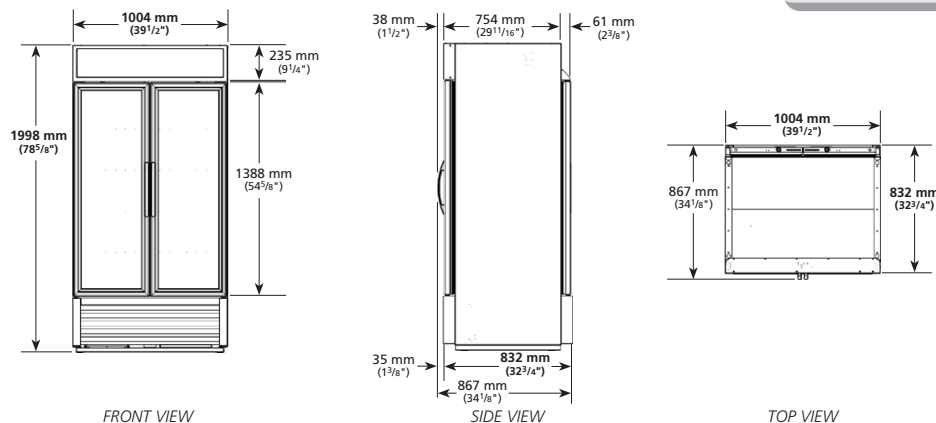
GDM-35RL-HC~TSL01

- ▶ The world's #1 manufacturer of glass door merchandisers.
- ▶ Factory engineered, self-contained, capillary tube system using environmentally friendly R290 hydrocarbon refrigerant that has zero (0) ozone depletion potential (ODP), & three (3) global warming potential (GWP).
- ▶ High capacity, factory balanced, refrigeration system holds 33°F to 38°F (5°C to 3.3°C) for best food preservation in extreme conditions.
- ▶ Exterior - gleaming stainless steel for those who appreciate the value of stainless.
- ▶ Interior - attractive, NSF approved, white aluminum interior liner with stainless steel floor.
- ▶ Self closing doors. Positive seal, torsion type closure system.
- ▶ Front doors - "Low-E", double pane thermal insulated glass door assemblies with extruded aluminum frames. The latest in energy efficient technology. Rear stainless steel solid doors.
- ▶ LED interior lighting provides more even lighting throughout the cabinet. Safety shielded.
- ▶ Entire cabinet structure is foamed-in-place using a high density, polyurethane insulation that has zero ozone depletion potential (ODP) and zero global warming potential (GWP).

Bottom mounted units feature

- ▶ "No stoop" lower shelf to maximize product visibility.
- ▶ Storage on top of cabinet.
- ▶ Easily accessible condenser coil for cleaning.

PLAN VIEW



ROUGH-IN DATA

Specifications subject to change without notice.
Chart dimensions rounded up to the next whole millimeter (inches rounded up to the next 1/8").

Model	Doors	Shelves	Cabinet Dimensions (mm)			HP	Voltage	Amps	NEMA Config.	Cord Length (total m)	Crated Weight (kg)
			W	D	H						
GDM-35RL-HC~TSL01	2 fr / 2 bk	8	1004	832	1998	1/2	230-240/50/1	3.0	▲	2.74	200

† Depth does not include 38 mm for front door handles. Rear doors are solid/swing with recessed handles.

▲ Plug type varies by country.