

Model:
TUC-24-HC

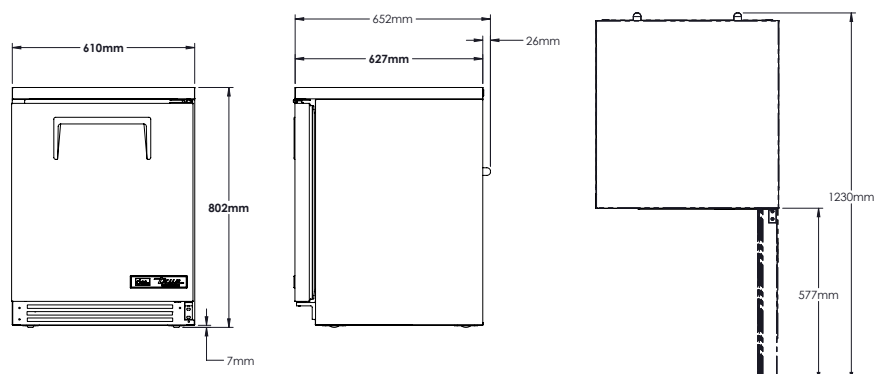
Undercounter:
Solid Door Refrigerator with Hydrocarbon Refrigerant



TUC-24-HC

- ▶ True's undercounter units are designed with enduring quality that protects your long term investment.
- ▶ Designed using the highest quality materials and components to provide the user with colder product temperatures, lower utility costs, exceptional food safety and the best value in today's food service marketplace.
- ▶ Factory engineered system using environmentally friendly R290 hydro carbon refrigerant maintains temperature of 0.5°C to 3.3°C for the best in food preservation.
- ▶ Exterior - stainless steel front, top and ends. GalFan coated steel back.
- ▶ Interior - NSF approved, clear coated aluminum liner. Stainless steel floor with coved corners.
- ▶ Front breathing
- ▶ Reversible Door hinging
- ▶ Locks Standard
- ▶ Adjustable, heavy duty PVC coated shelves.
- ▶ Foamed-in-place using a high density, environmentally friendly polyurethane insulation.

PLAN VIEW



ROUGH-IN DATA

Voltage: 220-240V/50-60Hz

Specifications subject to change without notice.
Chart dimensions rounded up to the next whole millimeter (inches rounded up to the next 1/8").

| Model | Model Type | Doors/ Drawers | Shelves | Cabinet Dimensions (mm) | | | Net Volumes (litres) | EEC | EEI | 24 hr/ Energy Consumption (kWh) | Annual Energy Consumption (kWh) | Crated Weight (kg) |
|-----------|-----------------|-------------------|---------|-------------------------|-----|-----|----------------------|-----|------|---------------------------------|---------------------------------|--------------------|
| | | | | W | D † | H | | | | | | |
| TUC-24-HC | Counter Chilled | 1/0 | 2 | 610 | 627 | 802 | 94 | A | 19,5 | 1,08 | 395 | 71 |

† Depth does not include 26 mm for rear bumpers.
Test Standard: EN16825 - Climate Class 5 (40°C, 40% relative humidity).